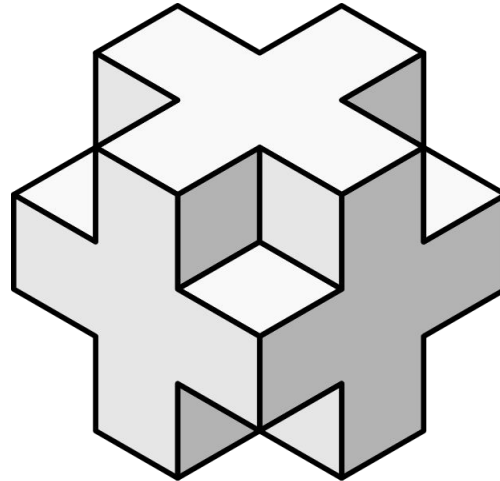


PLTW: Design and Modeling  
Lesson: 5 (April 10)

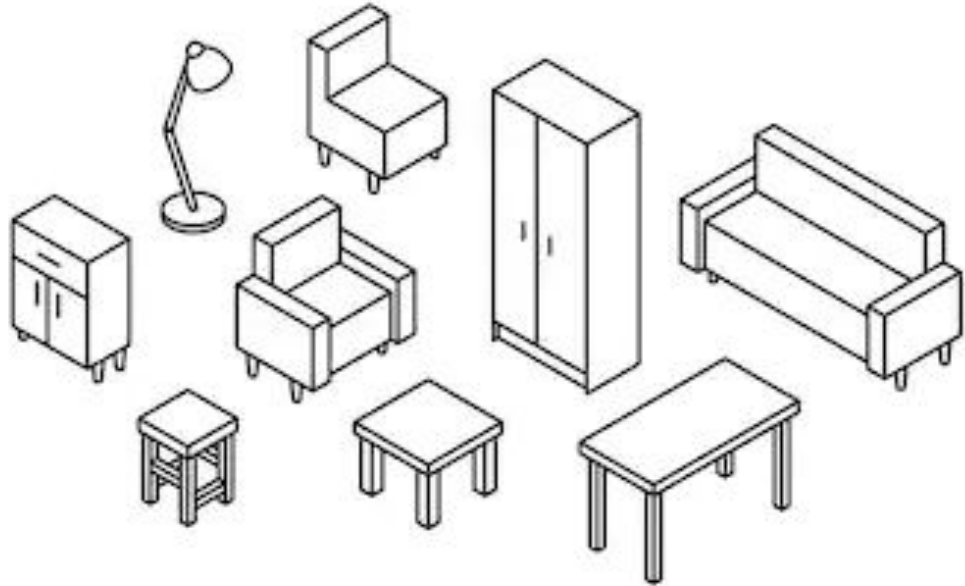
**Learning Target:**

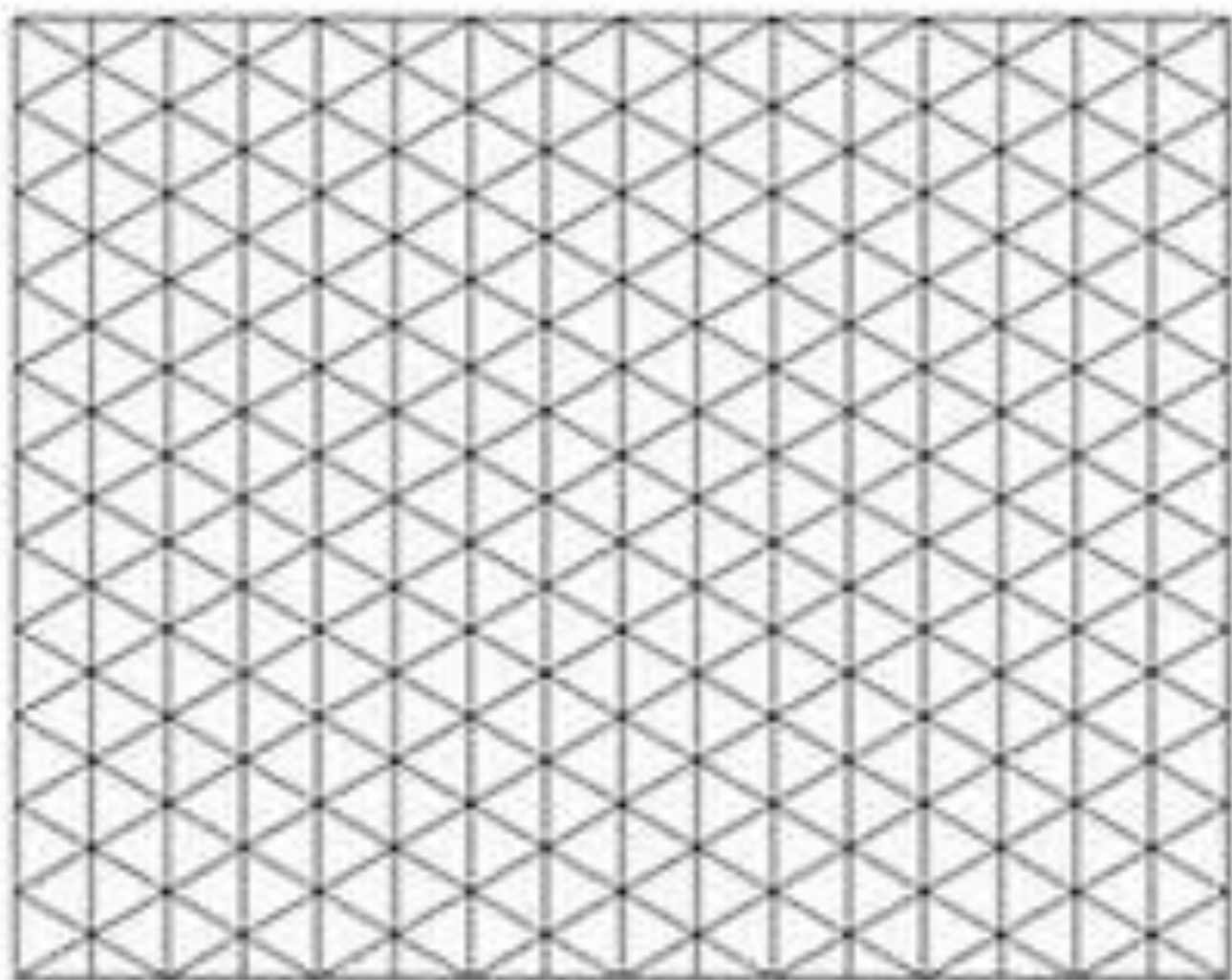
Students will understand when engineers use isometric views and apply these drawings in a real world situation.



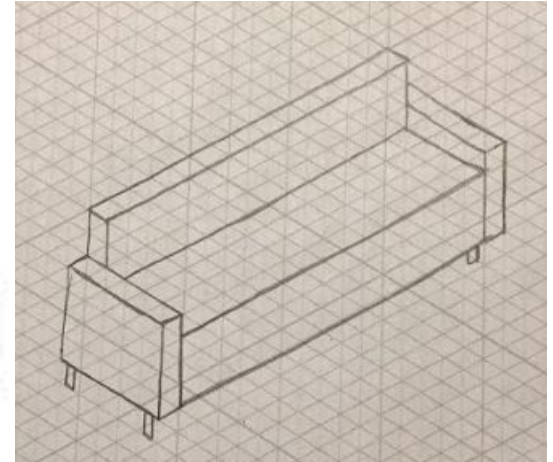
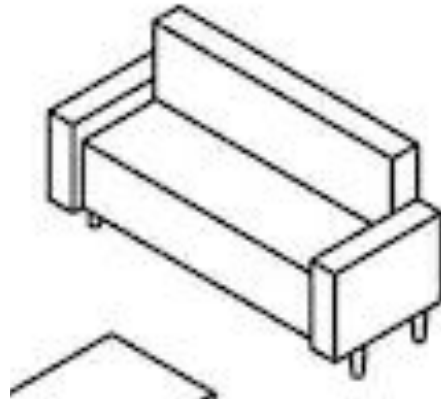
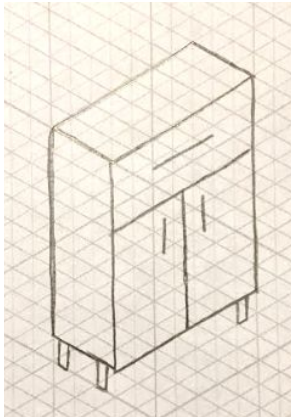
# Warm-Up

Today I want you to draw 2 of these pieces of furniture, but flip it across a vertical line.





# Examples

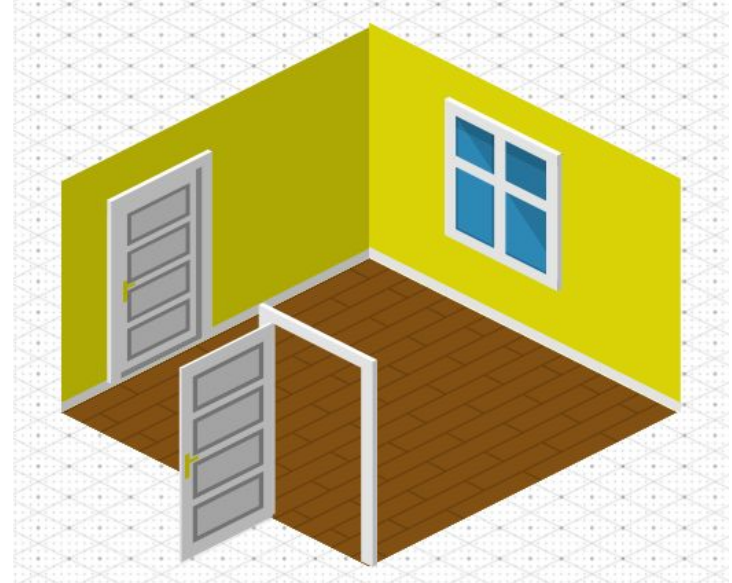


# Let's Get Started..

It is Day 2 of room design. You should have the structure of your bedroom complete.

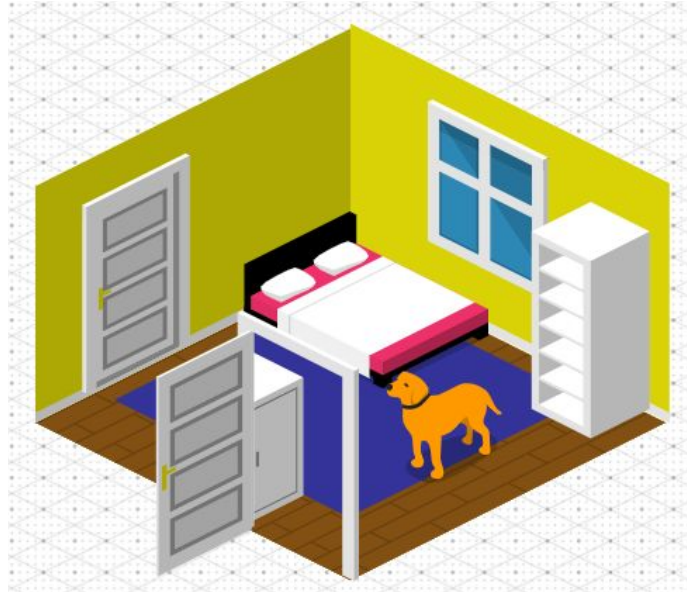
You will need the tab open from yesterday with the following website:

<https://icograms.com/icograms-designer.php>



# Practice

Today we are going to fill the space with furniture to complete the design.



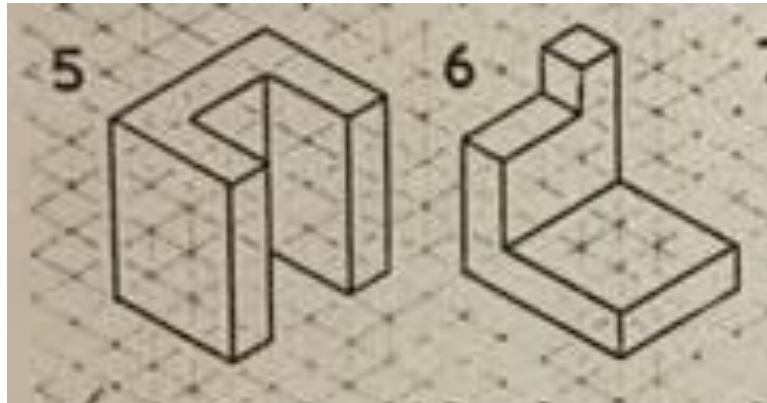


# Isometric View Self-Assessment

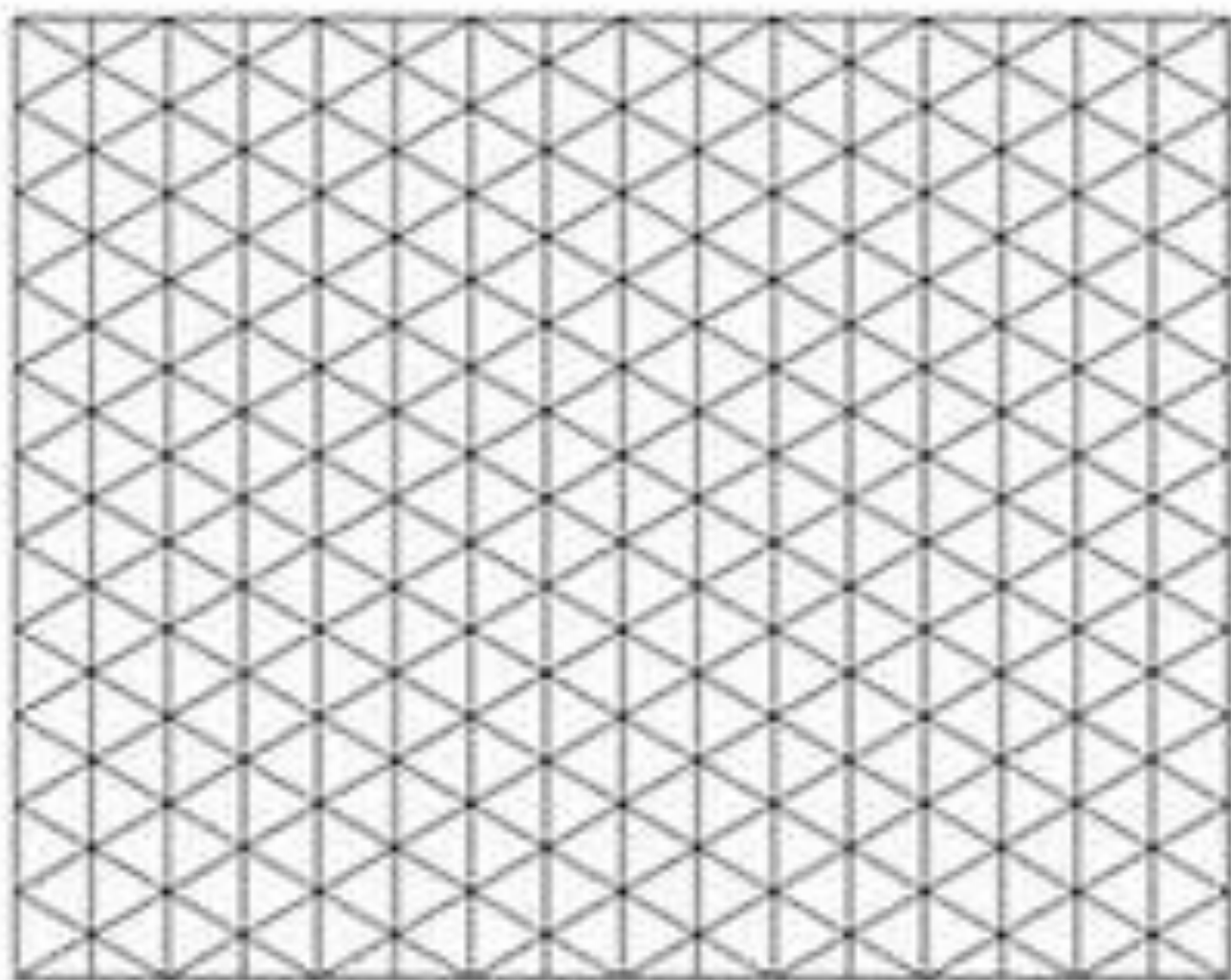
Isometric drawings show the \_\_\_\_\_, \_\_\_\_\_, and \_\_\_\_\_ view of an object.

Shapes are drawn with \_\_\_\_\_ lines and corner angles at \_\_\_\_\_.

Draw these two objects in isometric view. Bonus: Draw them again but flipped a different direction.





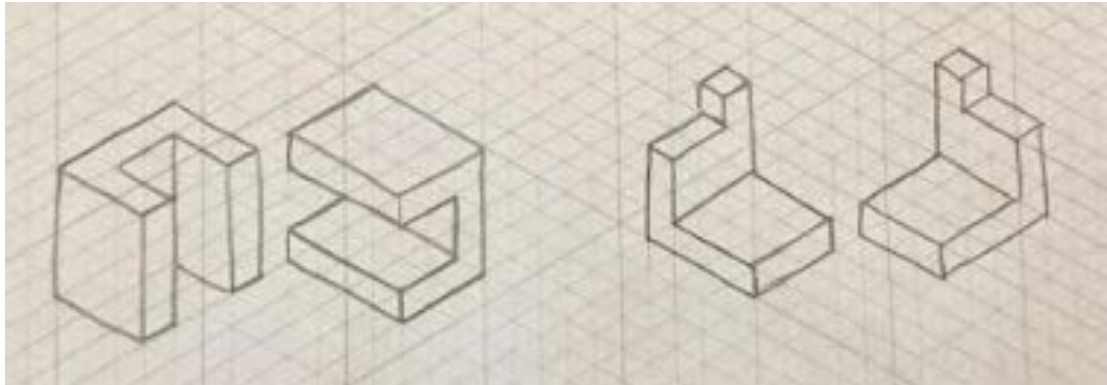


# Answers

Isometric drawings show the **front**, **top**, and **side** view of an object.

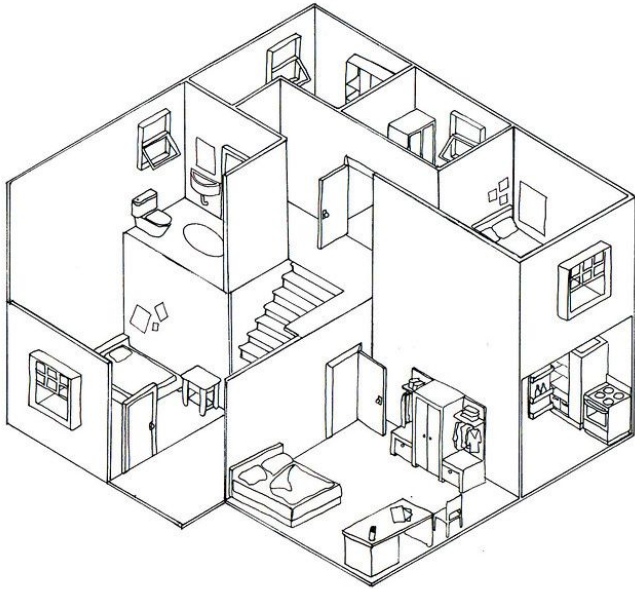
Shapes are drawn with **parallel** lines and corner angles at **120°**.

Draw these two objects in isometric view. Bonus: Draw them again but flipped a different direction (**answers will vary**).



# Extend Your Learning:

Click on the links below to get additional practice and to check your understanding!



You don't have to stop at your bedroom. If you would like to draw your whole house, go for it!

If you would like more practice hand drawing in isometric view, try drawing the letters in your name.

